

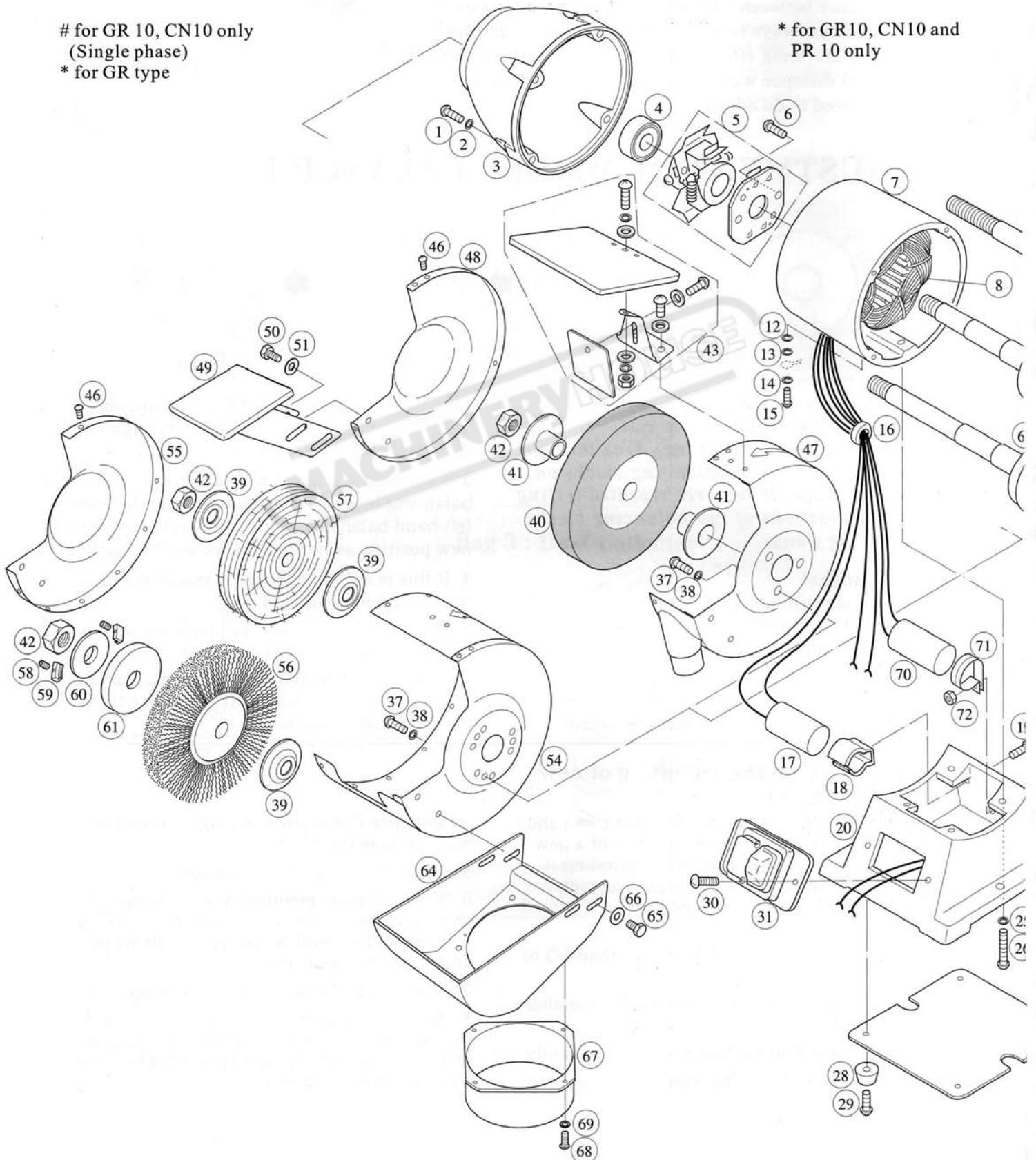
[EXPLODED VIEW]

- | | | | |
|-------------------------|-----------------------|--------------------|-------------------------|
| 1. Screw | 10. Fan | 20. Grinding Base | 30. Screw |
| 2. Spring Washer | 11. Right Support | 21. Screw | 31. NVR |
| 3. Left Support | 12. Ext. Washer | 22. Cable Strainer | 32. Overload Protector* |
| 4. Ball Bearing | 13. Copper Set | 23. Fixing Plate | 34. Spring Washer* |
| 5. Centrifugal Switch # | 14. Int. Washer | 24. Power Cord | 35. Hex. Nut* |
| 6. Screw | 15. Screw | 25. Washer | 36. Screw |
| 7. Stator Housing | 16. Grommet Rubber | 26. Screw | 37. Screw |
| 8. Stator | 17. Running Capacitor | 27. Base Plate | 38. Spring Washer |
| 9. Rotor Shaft* | 18. Clamp | 28. Pad | 39. Disc Washer |
| | 19. Screw | 29. Screw | |

for GR 10, CN10 only
(Single phase)

* for GR type

* for GR10, CN10 and
PR 10 only



40. Grinding Wheel
41. Sleeve
42. Hex. Nut
43. Eyeshield Set
44. Right Int. Cover A
45. Right Wheel Cover A
46. Screw
47. Left Int. Cover A
48. Left Wheel Cover A
49. Toolrest

50. Hex. Bolt
51. Washer
52. Right Int. Cover B
53. Right Wheel Cover B
54. Left Int. Cover B
55. Left Wheel Cover B
56. Wire Brush
57. MOP/Buffer
58. Set Screw
59. Balance Block

60. Washer
61. Balancing Flange
62. Rotor Shaft*1
63. Rotor Shaft*2
64. Dust Collector
65. Hex. Bolt
66. Washer
67. Chip Outlet
68. Screw
69. Spring Washer

70. Starting Capacitor *
71. Clamp *
72. Hex. Nut *
73. Wiring Board

44+45+47+48 for GR type
47+48+52+53 for CN type
52+53+54+55 for PR type

*1 for CN type
*2 for PR type

*for GR 10, CN10 only
(Single phase)

